



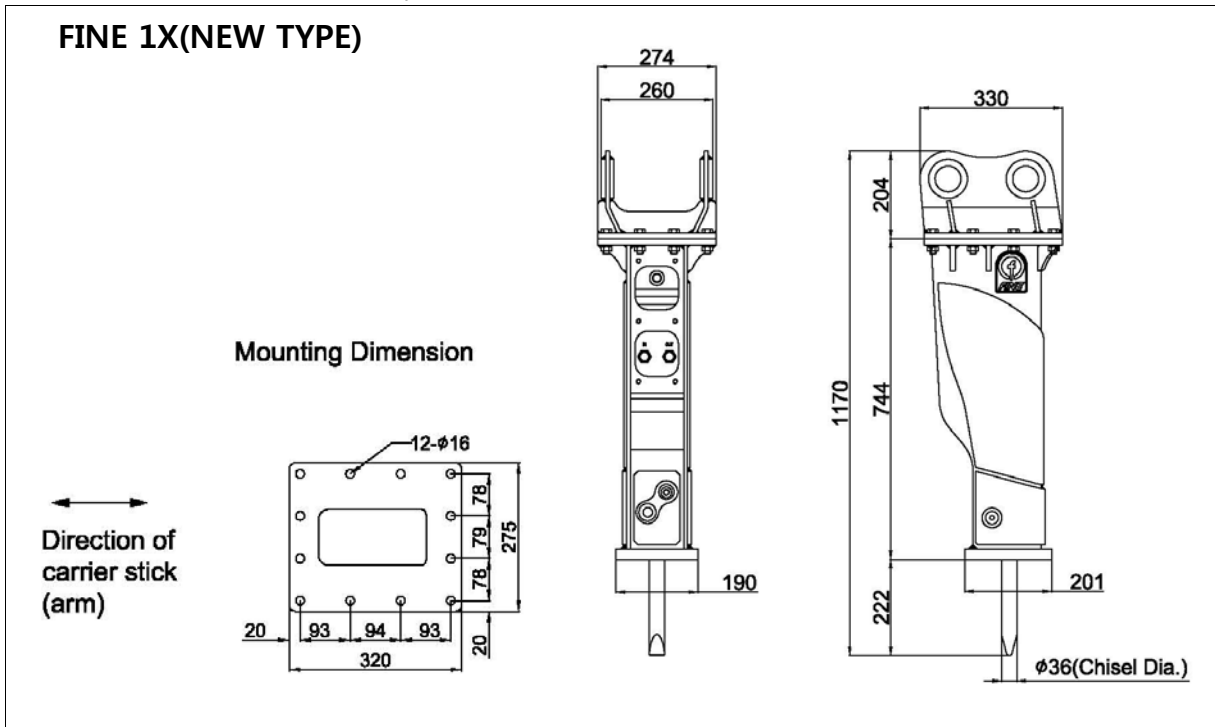
FINE 1X(New Type) TECHNICAL SPECIFICATIONS

FS#	FHB-T1-E1
Cre. Date	2 MAR, 2015
Rev. Date	
Page	1 of 4

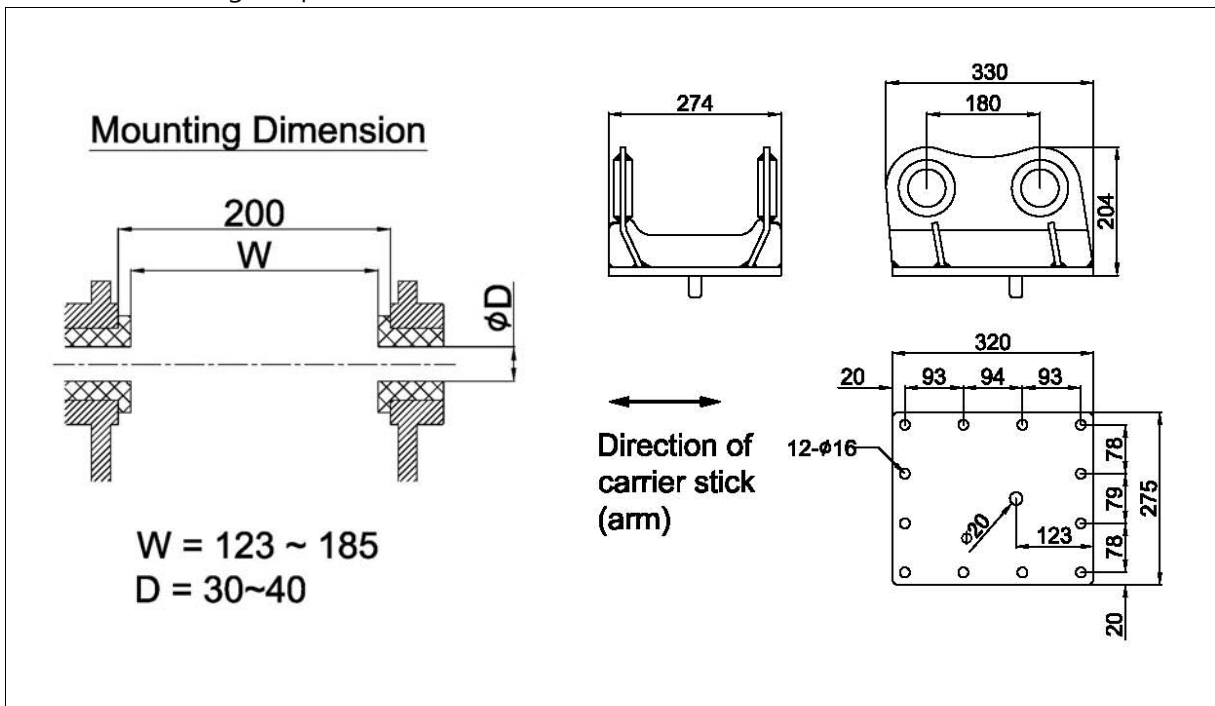
1. EXTERNAL DIMENSIONS

Unit: mm

- X (Box) : Silenced Version - Adapter Mount



- Standard Mounting Adapter for X version





FINE 1X(New Type)
TECHNICAL SPECIFICATIONS

FS#	FHB-T1-E1
Cre. Date	2 MAR, 2015
Rev. Date	
Page	2 of 4

2. BASIC SPECIFICATIONS

Bracket Version	X (Box)		
Available Option			
2-speed control	Std.		
Dust protector	Opt.		
Auto-greasing kit	Opt.		
Working Weight ¹⁾	136 (300)		kg (lbs)
Weight without chisel and mounting adapter	111 (244)		kg (lbs)
Overall Length ²⁾	1,170 (46)		mm (in.)
Weight of components			
Power-cell	55	(121)	kg (lbs)
Chisel(standard)	4	(9)	kg (lbs)
Mounting adapter ³⁾	21	(46)	kg (lbs)
Required Oil Flow	15 ~ 30	(4 ~ 7.9)	lpm (gpm)
Operating Pressure	90 ~ 110	(1,305 ~ 1,595)	bar (psi)
Blow Frequency	700 ~ 1300		bpm
Impact Energy	210	(154.9)	J (ft.lbf)
Tool (chisel) Shank Diameter	36	(1.5)	mm (in.)
Applicable Carrier Weight			
Optimal range	0.8 ~ 2.5	(1.8 ~ 5.5)	t (klbs)
Available range	0.8 ~ 2.5	(1.8 ~ 5.5)	t (klbs)

Notes :

- 1) Total weight including standard tool, standard mounting adapter and spacers but excluding hydraulic hoses, fittings and mounting pins.
- 2) The length measured from the tool tip of the standard tool to the top of the breaker including mounting adapter.
- 3) Including standard mounting adapter, fasteners and spacers (for X version)



FINE 1X(New Type)
TECHNICAL SPECIFICATIONS

FS#	FHB-T1-E1
Cre. Date	2 MAR, 2015
Rev. Date	
Page	3 of 4

3. INSTALLATION SPECIFICATIONS

Gas Charging Pressure ¹⁾				
Back-head (Piston accumulator) ²⁾	16 ~ 17	(232 ~ 247)	bar	(psi)
Hydraulic Piping				
Line size (min. internal diameter)	13	(1/2)	mm	(in.)
Acceptable back pressure (max.) ³⁾	10	(150)	bar	(psi)
Hose connections of breaker				
Oil supply (IN) & return (OUT)	BSP 1/2" O-Ring Boss Female			
Pressure Relief (min.)	40 (600) + measured max. operating pressure			
Acceptable Hydraulic Oil				
Operating temperature ⁴⁾	-20 ~ +85	(-4 ~ +185)	°C	(°F)
Viscosity	1000 ~ 10		cSt	

Notes :






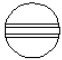

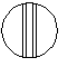
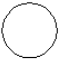

- 1) The prefill nitrogen gas pressure measured statically (breaker not operating) without down load on the tool at the stabilized gas temperature of +20 °C
- 2) The recommended value at the normal operating condition (supplied oil flow, oil temperature and viscosity, etc.)
- 3) The maximum allowed oil pressure at the breaker's connection point to the return line (measured statically without the breaker)
- 4) The allowed temperature limits when using the oil of viscosity grade 46



FINE 1X(New Type) TECHNICAL SPECIFICATIONS

FS#	FHB-T1-E1
Cre. Date	2 MAR, 2015
Rev. Date	
Page	4 of 4

4. AVAILABLE TOOLS (CHISELS)

Shank Diameter	36 (1.4) mm (in.)				
	TYPE OF TOOL :				
	Wedge Point	Moil Point	In Line Point	Blunt Point	Conical Point
Tool Diameter ¹⁾	36 (1.4)	36 (1.4)	36 (1.4)	36 (1.4)	36 (1.4) mm (in.)
Tool Length	420(16.5)	420 (16.5)	420 (16.5)	420 (16.5)	420 (16.5) mm (in.)
Tool Weight	3.3(7.3)	3.2 (7.1)	3.3 (7.3)	3.5 (7.7)	3.1(6.8) kg (lbs)
Tool Shape					
					

Notes :

1) The diameter of the tool portion outside the breaker body

- Other special designs are also available on request.