

A photograph of the Ammann APA 100/88 Add-On Compactor. The machine is yellow and red, with a large red hydraulic motor on top. It is shown in operation, compacting a layer of light-colored soil. The machine has a yellow base with the Ammann logo and model number 'APA 100/88' printed on it. A teal diagonal graphic is overlaid on the left side of the image.

APA 100/88

ADD-ON COMPACTOR

THE ADD-ON MACHINE FOR LARGE EXCAVATORS

A working width of 880 mm (34.6 in) and a length of 1295 mm (51 in) make the APA 100/88 a highly productive add-on compactor for large excavators. It is equipped with a hydraulic 360° rotating motor, suitable for excavators up to 40 tonnes. This versatile machine can also be used in small areas.

PATENTED VIBRATION LIMITATION

- High-resistance rubber shock absorbers cushion vibrations to protect the excavator and operator

SAFETY

- For work on steep inclines where compaction with a vibratory plate is not safe
- Trench compaction from a safe distance

THE MACHINE THAT MATCHES

- The Add-On Compactor is compatible with all commonly used adapters
- With the Ammann fast change system, this Add-On Compactor is connected and ready to operate within a few seconds

AMMANN ACE FOR MAXIMUM EFFICIENCY

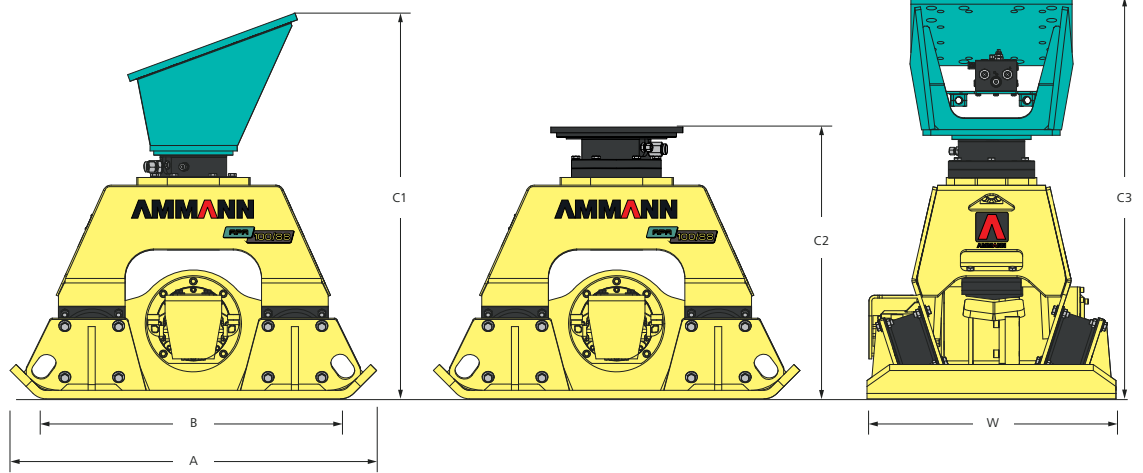
- Intelligent compaction ACE is available for the large Add-On compactors, boosting your productivity with every shift.

APPLICATIONS

- Add-On Compactor for excavators in the <30-tonne class
- Pipeline construction
- Development areas
- Slope and hillside compaction
- Confined work spaces
- Manhole compaction
- Structure backfill work
- Landfill
- Track construction

AMMANN

TECHNICAL SPECIFICATIONS
APA 100/88 ADD-ON COMPACTOR



WEIGHT & DIMENSIONS

	APA 100/88
MACHINE WEIGHT	875 kg (1929 lb)
MACHINE WEIGHT (MECH.)	1065 kg (2348 lb)
MACHINE WEIGHT (HYD.)	1170 kg (2579 lb)
A LENGTH	1295 mm (51 in)
B BASE PLATE LENGHT	1095 mm (43.1 in)
C1 HEIGHT (MECH.)	1200 mm (47.2 in)
C2 HEIGHT (HYD.)	910 mm (35.8 in)
C3 HEIGHT (HYD+UNIV.)	1380 mm (54.3 in)
W WIDTH	880 mm (34.6 in)
DIAMETER	1500 mm (58.3 in)
RECOMMENDED CARRIER SIZE	18 000 kg (39 683 lb)

COMPACTION FORCES

MAX. VIBRATION FREQUENCY	36 Hz (2160 VPM)
MAX. CENTRIFUGAL FORCE	100 kN (22 481 lbf)
SPEC. SURFACE PRESSURE	10,4 N/cm ² (15.1 psi)

STANDARD EQUIPMENT

- Version with hydraulic rotator
- Twin-shaft exciter with high frequency and low amplitude
- Rubber cushions protect the excavator against vibrations
- Universal adapter plate for fast changes

MISCELLANEOUS

HYDRAULIC CONNECTIONS	Turn - Forward - Return - Leak - Turn
REQUIRED HYDRAULIC PRESSURE	250 bar (3625.9 psi)
REQUIRED VOLUME FLOW	150 l/min (9153 in ³ /min)
MAX. RETURN PRESSURE	10 bar (145 psi)

OPTIONS

ACE	x
EXTENSION	-
PILE DRIVER	-



OPTIONAL EQUIPMENT

- Alternative connections for Krupp hole pattern
- Hydraulic connections for Likifix fast change system
- Hydraulic connections for OilQuick fast change system
- Adapter plate to fit an OilQuick fast change system
- ACE Assistant