



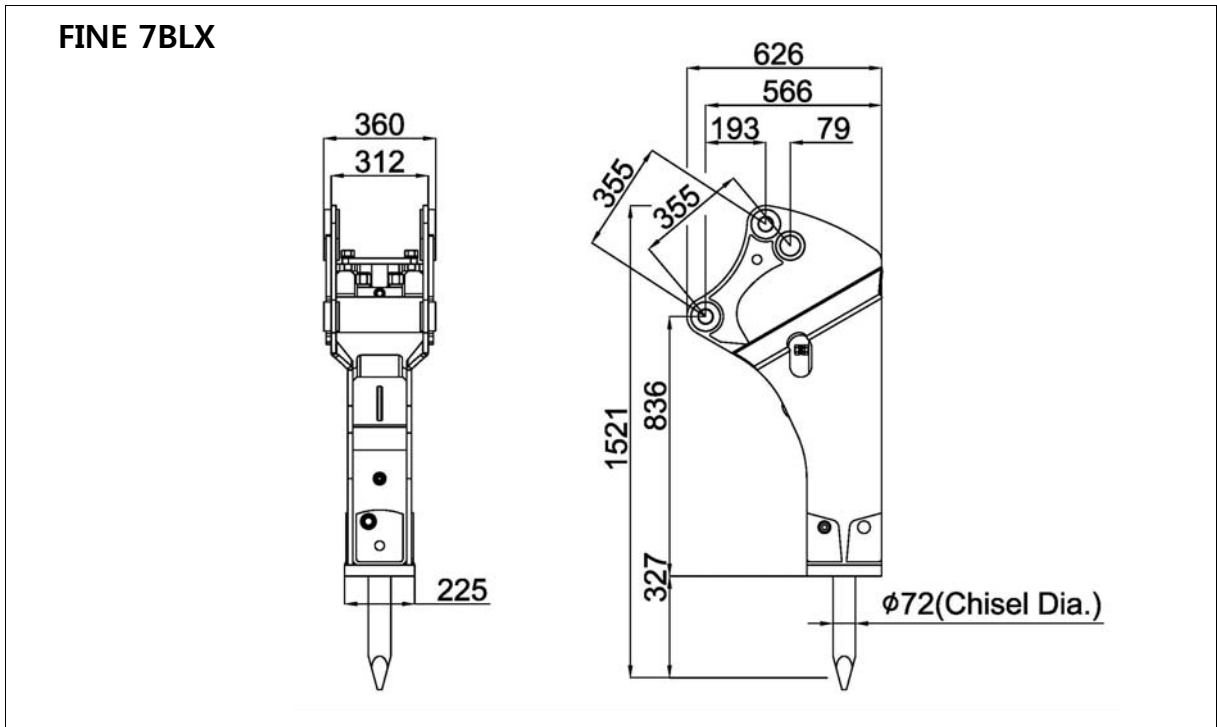
FINE 7BLX TECHNICAL SPECIFICATIONS

FS#	FHB-T7-E1
Cre. Date	28 APR, 2011
Rev. Date	
Page	1 of 4

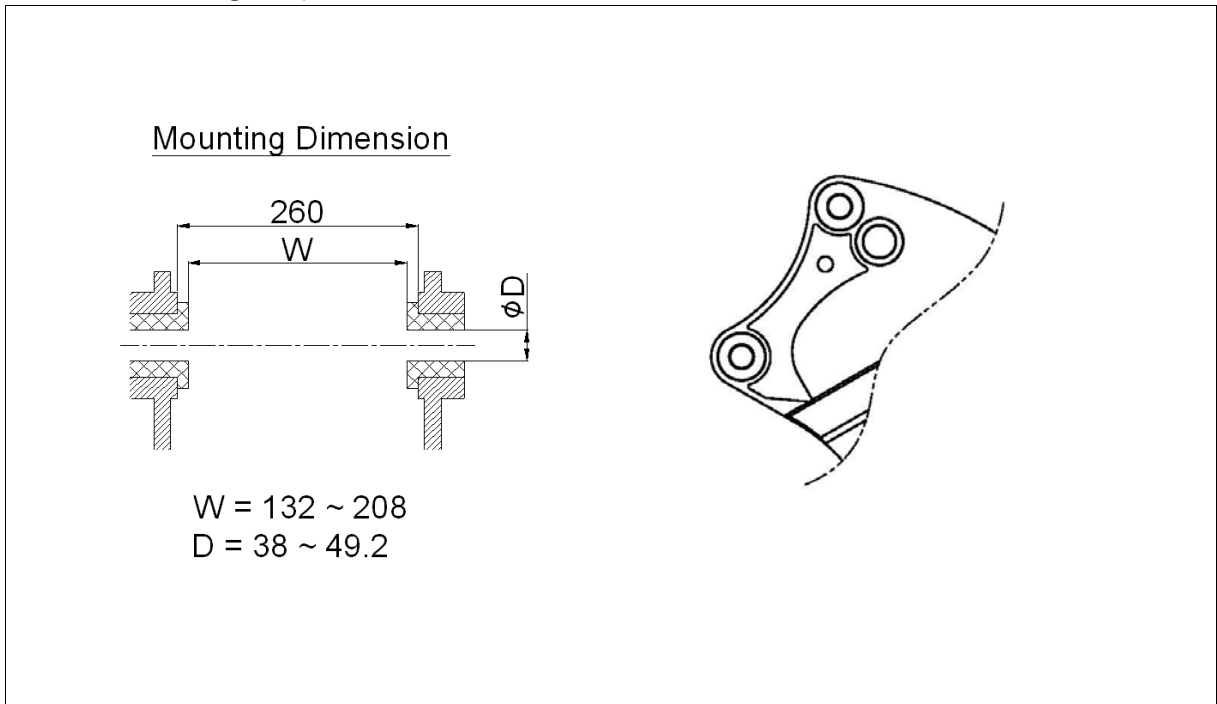
1. EXTERNAL DIMENSIONS

Unit: mm

● Backho Loader



● Standard Mounting Adapter for Backho Loader





FINE 7BLX
TECHNICAL SPECIFICATIONS

FS#	FHB-T7-E1
Cre. Date	28 APR, 2011
Rev. Date	
Page	2 of 4

2. BASIC SPECIFICATIONS

Bracket Version	Backho Loader		
Available Option			
2-speed control	Std.		
Dust protector	Opt.		
Auto-greasing kit	Opt.		
Working Weight ¹⁾	400 (882)		kg (lbs)
Weight without chisel and mounting adapter			kg (lbs)
Overall Length ²⁾	1,535 (60)		mm (in.)
Weight of components			
Power-cell			kg (lbs)
Chisel(standard)	18	(40)	kg (lbs)
Mounting adapter ³⁾			kg (lbs)
Required Oil Flow	30 ~ 50	(8 ~ 13)	lpm (gpm)
Operating Pressure	90 ~ 130	(1,305 ~ 1,885)	bar (psi)
Blow Frequency	400 ~ 1,500		bpm
Impact Energy	849	(627)	J (ft.lbf)
Tool (chisel) Shank Diameter	72	(2.8)	mm (in.)
Applicable Carrier Weight			
Optimal range	5 ~ 8	(11 ~ 18)	t (klbs)
Available range	5 ~ 8	(11 ~ 18)	t (klbs)

Notes :

- 1) Total weight including standard tool, standard mounting adapter and spacers but excluding hydraulic hoses, fittings and mounting pins.
- 2) The length measured from the tool tip of the standard tool to the top of the breaker including mounting adapter.
- 3) Including standard mounting adapter, fasteners and spacers (for Backho Loader)



FINE 7BLX
TECHNICAL SPECIFICATIONS

FS#	FHB-T7-E1
Cre. Date	28 APR, 2011
Rev. Date	
Page	3 of 4

3. INSTALLATION SPECIFICATIONS

Gas Charging Pressure ¹⁾				
Back-head (Piston accumulator) ²⁾	16 ~ 17	(232 ~ 247)	bar	(psi)
Hydraulic Piping				
Line size (min. internal diameter)	13	(1/2)	mm	(in.)
Acceptable back pressure (max.) ³⁾	10	(150)	bar	(psi)
Hose connections of breaker				
Oil supply (IN) & return (OUT)	BSP 1/2" O-Ring Boss Female			
Pressure Relief (min.)	40 (600) + measured max. operating pressure			
Acceptable Hydraulic Oil				
Operating temperature ⁴⁾	-20 ~ +85	(-4 ~ +185)	°C	(°F)
Viscosity	1000 ~ 10		cSt	

Notes :





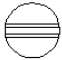

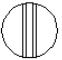
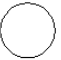
- 1) The prefill nitrogen gas pressure measured statically (breaker not operating) without down load on the tool at the stabilized gas temperature of +20 °C
- 2) The recommended value at the normal operating condition (supplied oil flow, oil temperature and viscosity, etc.)
- 3) The maximum allowed oil pressure at the breaker's connection point to the return line (measured statically without the breaker)
- 4) The allowed temperature limits when using the oil of viscosity grade 46



**FINE 7BLX
TECHNICAL SPECIFICATIONS**

FS#	FHB-T7-E1
Cre. Date	28 APR, 2011
Rev. Date	
Page	4 of 4

4. AVAILABLE TOOLS (CHISELS)

Shank Diameter	72 (2.7) mm (in.)				
	TYPE OF TOOL :				
	Wedge Point	Moil Point	In Line Point	Blunt Point	
Tool Diameter ¹⁾	72 (2.7)	72 (2.7)	72 (2.7)	72 (2.7)	mm (in.)
Tool Length	697 (29)	697 (29)	697 (29)	697 (29)	mm (in.)
Tool Weight	17.9 (39.5)	17.3 (38.1)	17.9 (39.5)	18.8 (41.4)	kg (lbs)
Tool Shape					
					

Notes :

1) The diameter of the tool portion outside the breaker body

- Other special designs are also available on request.